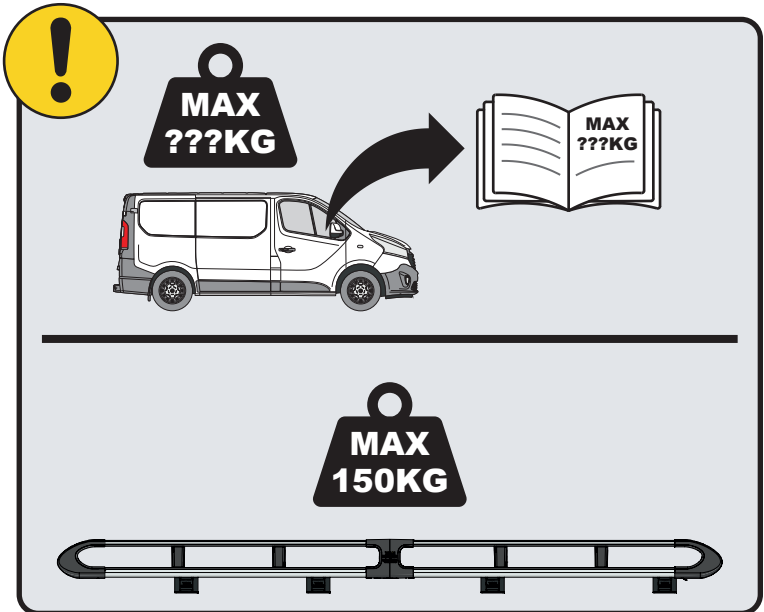
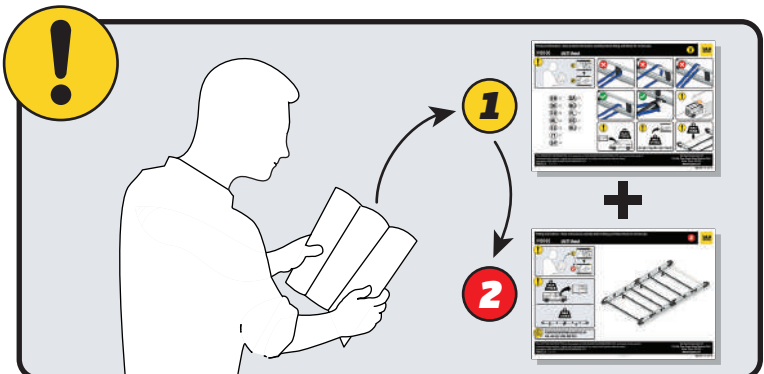


# IN8341

## ULTI Rack+



 [Customercare@van-guard.co.uk](mailto:Customercare@van-guard.co.uk)  
UK +44 (0) 1392 368 351

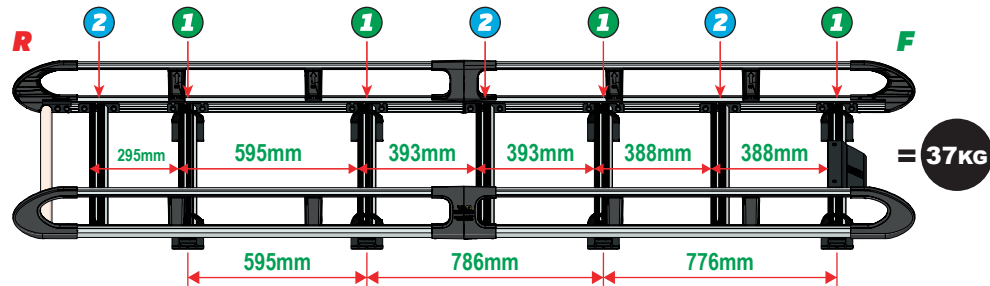
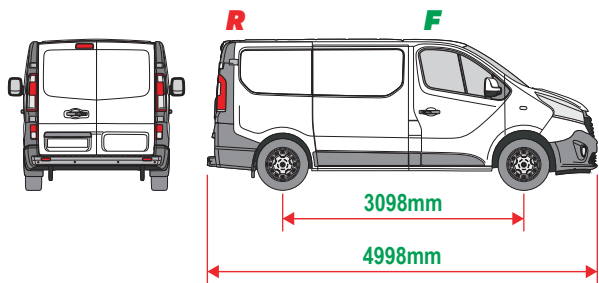


This FITTING INSTRUCTION is the property of VAN GUARD ACCESSORIES LTD. and must not be used for manufacturing purposes, copied nor communicated in any way to third parties without written permission from VAN GUARD ACCESSORIES LTD.  
IN8341\_A (CN:NR)

Van Guard Accessories Ltd  
Fair Oak Close, Exeter Airport Business Park,  
Exeter, Devon, EX5 2UL  
[www.van-guard.co.uk](http://www.van-guard.co.uk)

# VGUR-262

Fiat Talento: 2016-2020  
 Nissan NV300: 2016-2021  
 Nissan Primastar: 2022 on  
 Renault Trafic: 2014 on  
 Vauxhall Vivaro: 2014-2019  
**L1H1 (SWB)**  
**Twin Rear Doors**



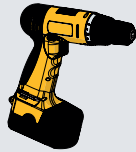
**SUPPLIED COMPONENTS - CHECK ALL PARTS ARE PRESENT AND CORRECT BEFORE PROCEEDING (1 OF 2)**

**TOOLS REQUIRED**

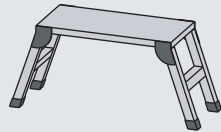
**10MM X1**



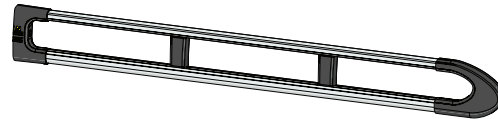
**13MM X1**



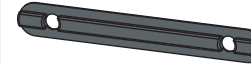
**21MM X1**



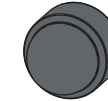
**AS3539 X2**  
(2800 / A)



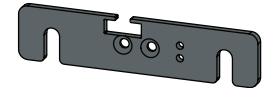
**MA6118 X14**



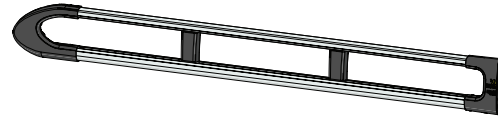
**FX4241 X32**



**ME1622 X3**



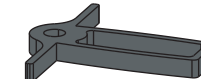
**AS3538 X2**  
(2800 / B)



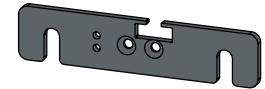
**FX4008 X1**



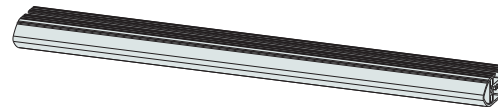
**MA6145 X1**



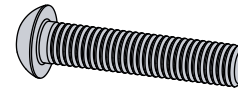
**ME1623 X3**



**ME1628 X7**  
(1554mm)



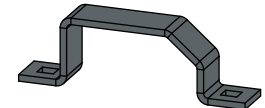
**FX4001 X2**  
(M8X40)



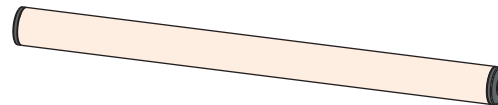
**FX4235 X28**  
(M5X25)



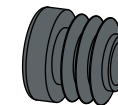
**ME0203 X8**



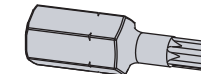
**AS3160 X1**  
(1540mm)



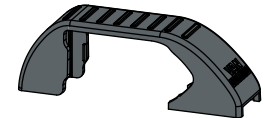
**MA6007 X4**



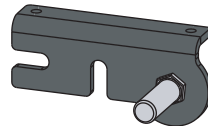
**FX4248 X1**  
(T25)



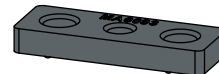
**MA6065 X8**



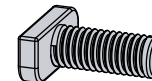
**AS3590 X1**



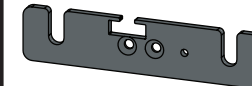
**MA6093 X16**



**FX4239 X32**  
(M8X20)



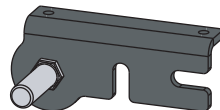
**ME1620 X4**



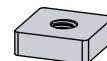
**FX4016 X16**  
(M6)



**AS3591 X1**



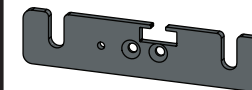
**ME0316 X16**



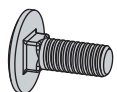
**FX4240 X32**  
(M8)



**ME1621 X4**



**FX4042 X16**  
(M6X16)



SUPPLIED COMPONENTS - CHECK ALL PARTS ARE PRESENT AND CORRECT BEFORE PROCEEDING (2 OF 2)

**ME0355 X1**

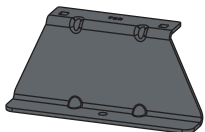


**FX4017 X2**

(M6)



**ME0793 X2**

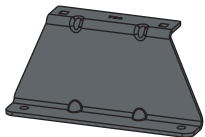


**FX4021 X14**

(M6X25)

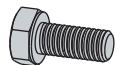


**ME0794 X6**



**FX4061 X2**

(M6X14)



**FX4010 X16**

(M6)

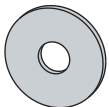


**MA6024 X8**



**FX4013 X14**

(M6)

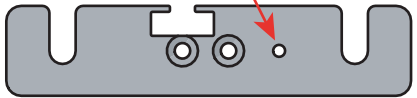


**FX4014 X14**



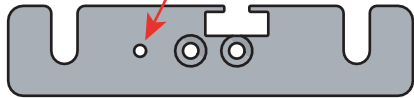
01

1L



X4

1R



X4



2L



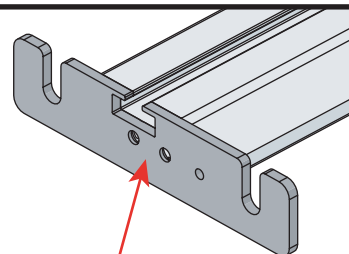
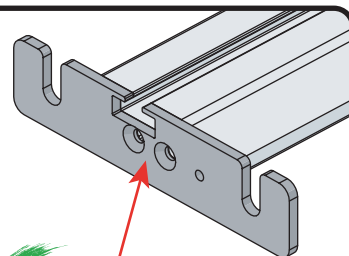
X3

2R



X3

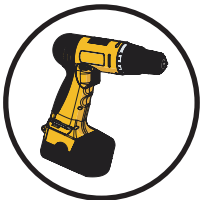
02



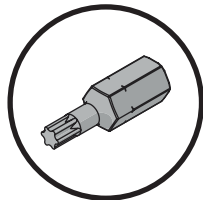
03

01

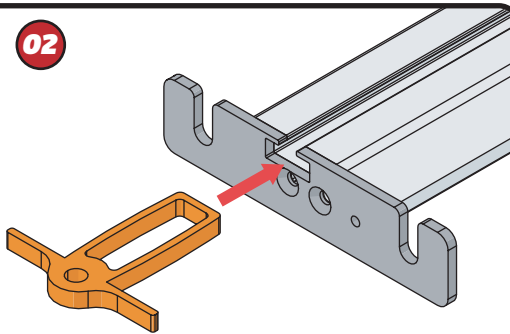
FX4248



+



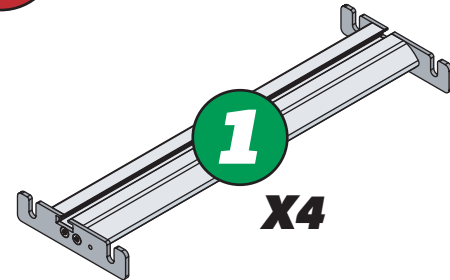
02



04

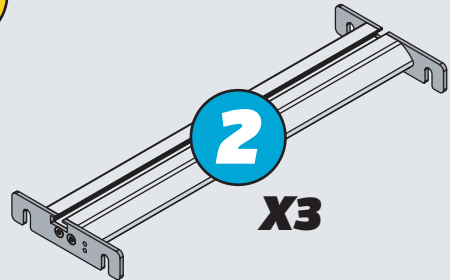


1



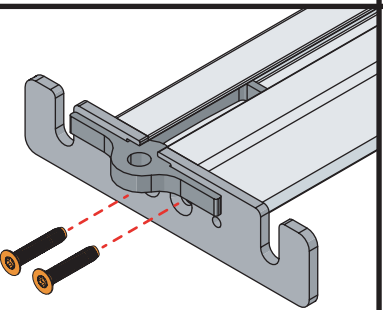
X4

2

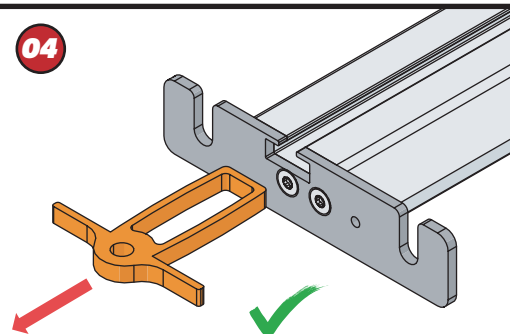


X3

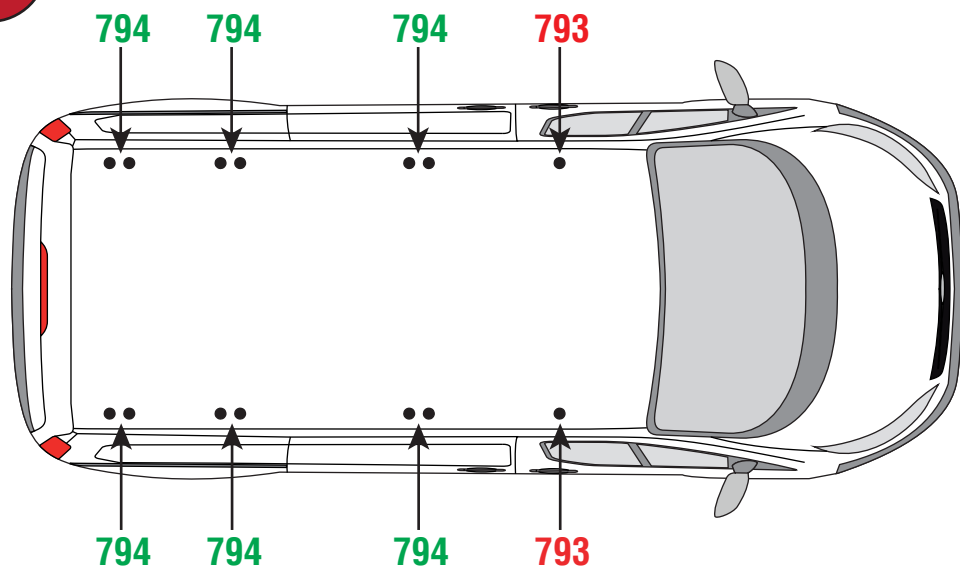
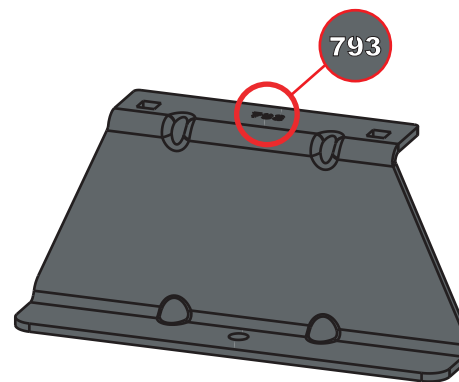
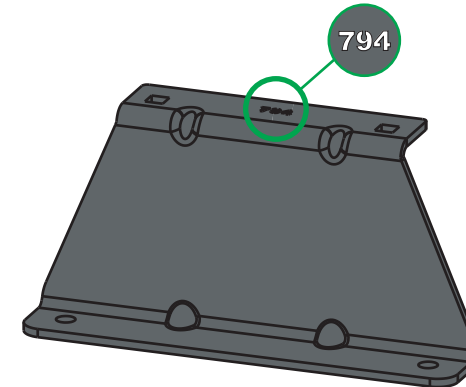
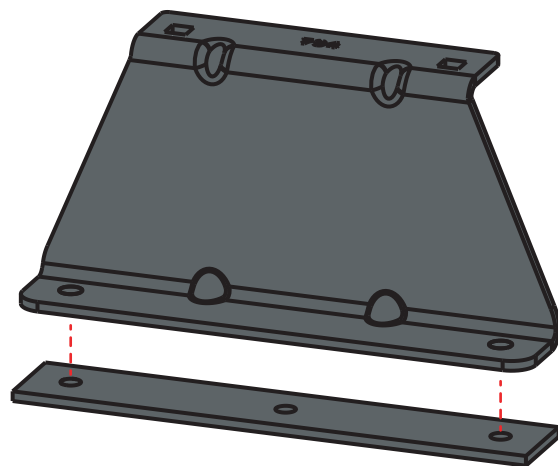
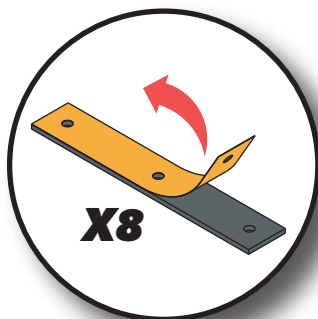
03



04

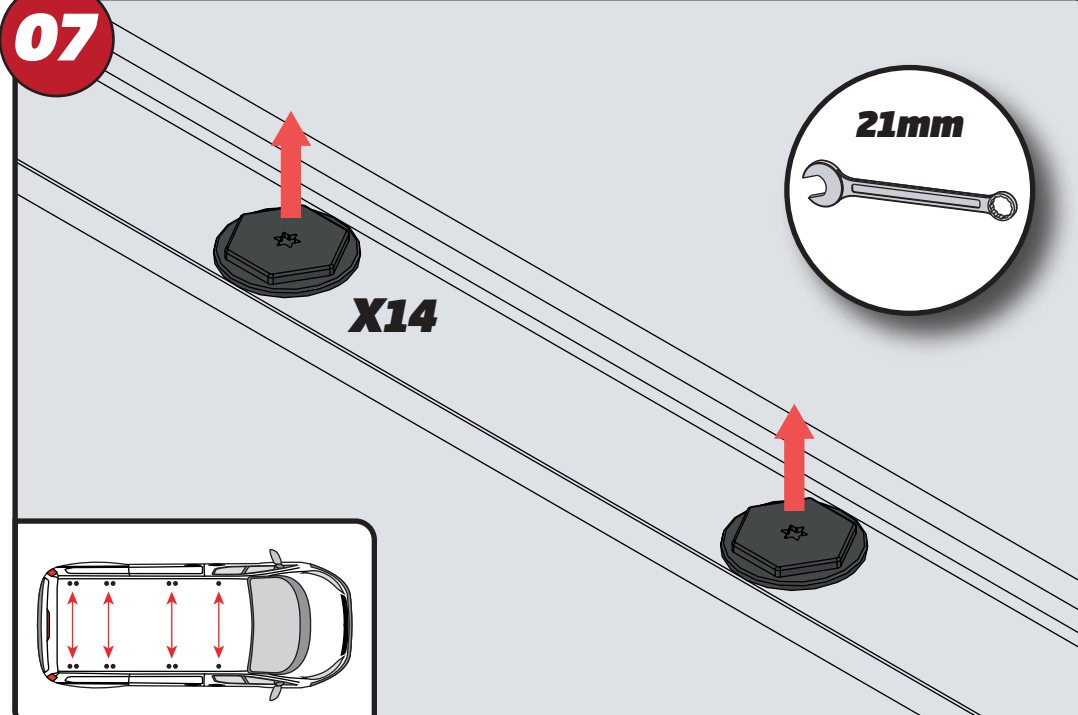


11Nm

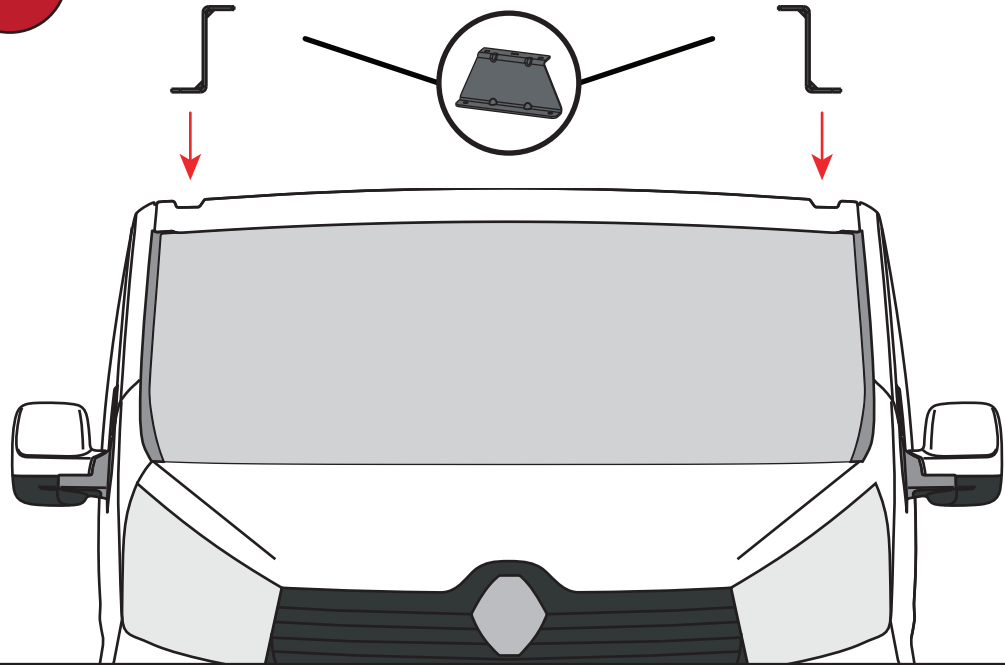
**05****793****794****06**

EN - STICK GASKETS TO ALL BRACKETS  
 DE - KLEBEN SIE DIE DICHTUNG AN ALLEN HALTERUNGEN  
 FR - COUSSINETS ADHÉSIFS À TOUS LES SUPPORTS  
 NL - PLAK PAKKING OP ALLE BEUGELS  
 ES - PEGA LAS ALMOHADILLAS A TODOS LOS SOPORTES  
 IT - ADESIVI GUARNIZIONI A TUTTE LE STAFFE

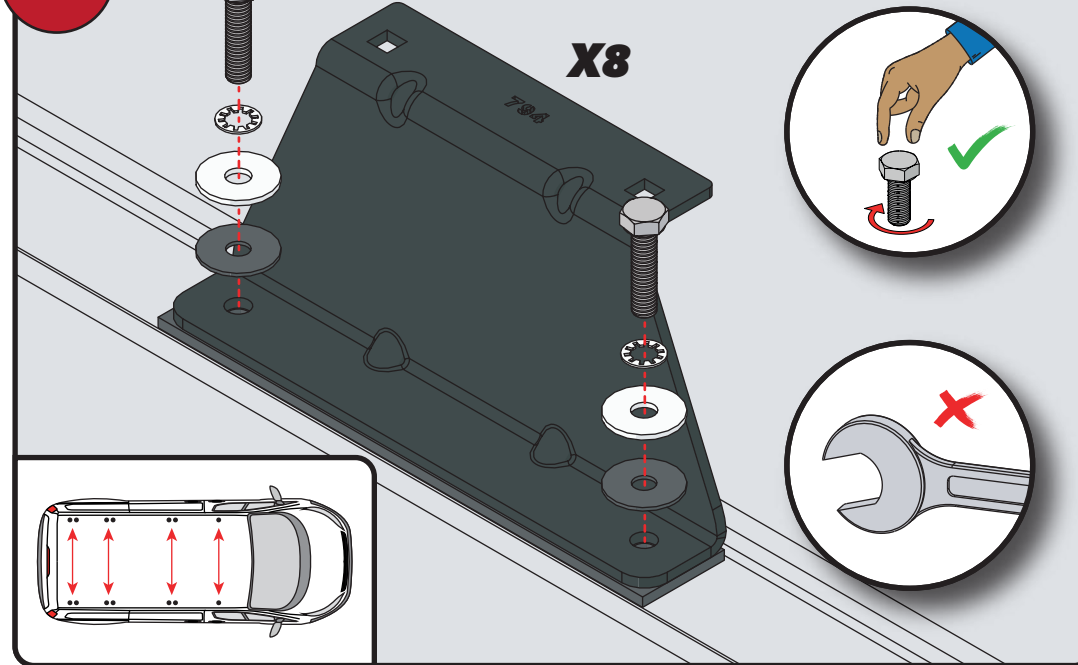
SV - FÄST GUMMI PÅ ALLA FÄSTEN  
 DA - KLÆB GUMMI PÅ ALLE BESLAG  
 NO - PLIST GUMMI PÅ ALLE BRACKETTER  
 PL - NAKLEJ USZCZELKI DO WSZYSTKICH WSPORNIKÓW  
 CS - PŘILEPTE TĚSNĚNÍ NA VŠECHNY DRŽÁKY

**07****21mm****X14**

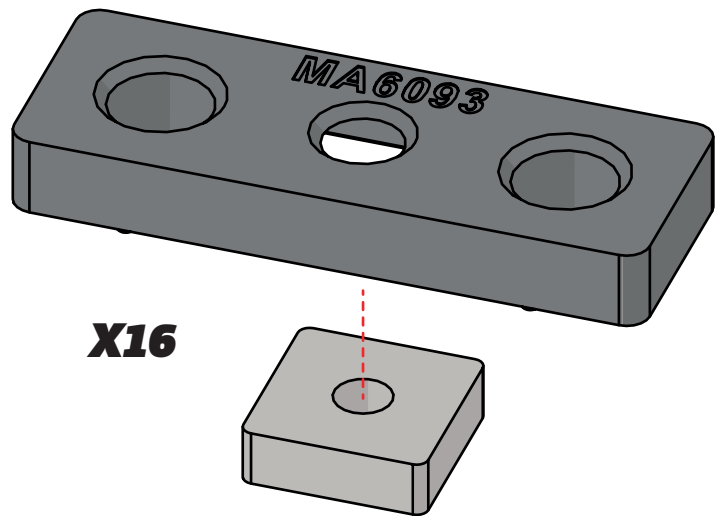
08



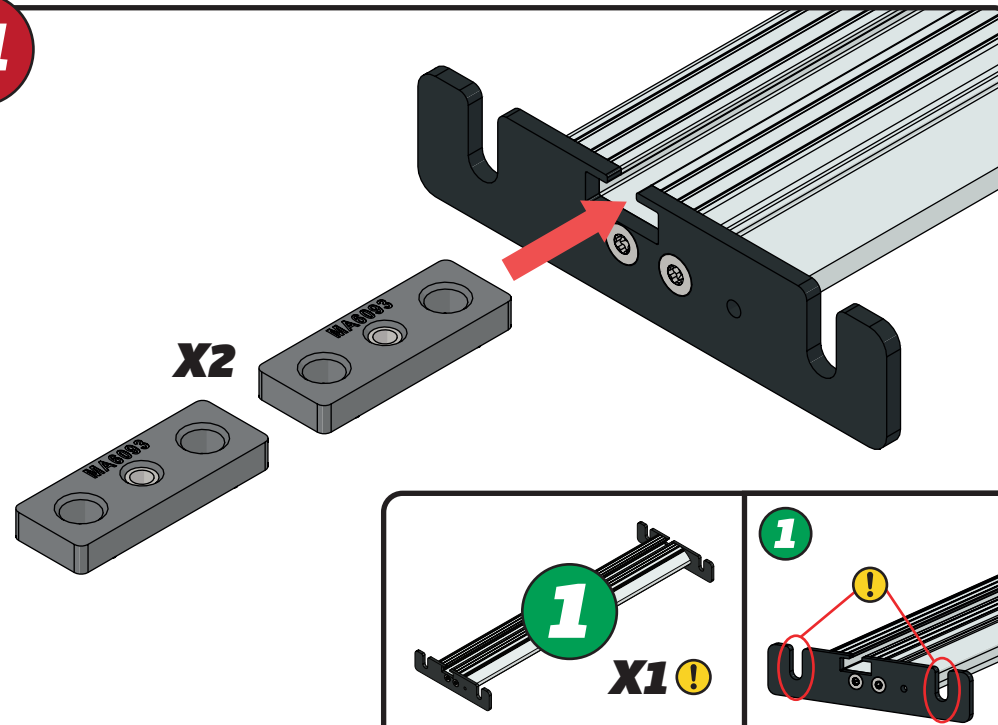
09



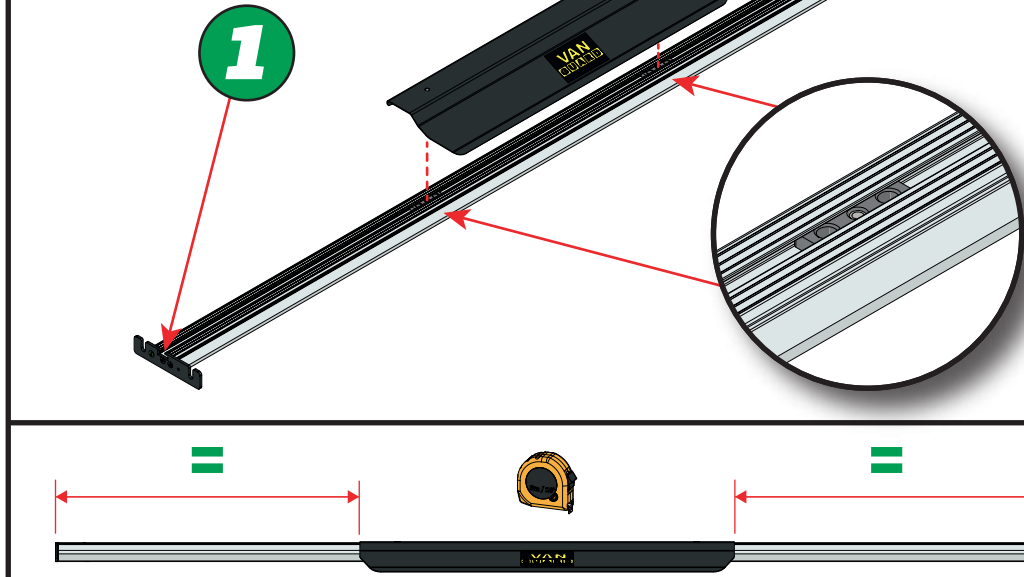
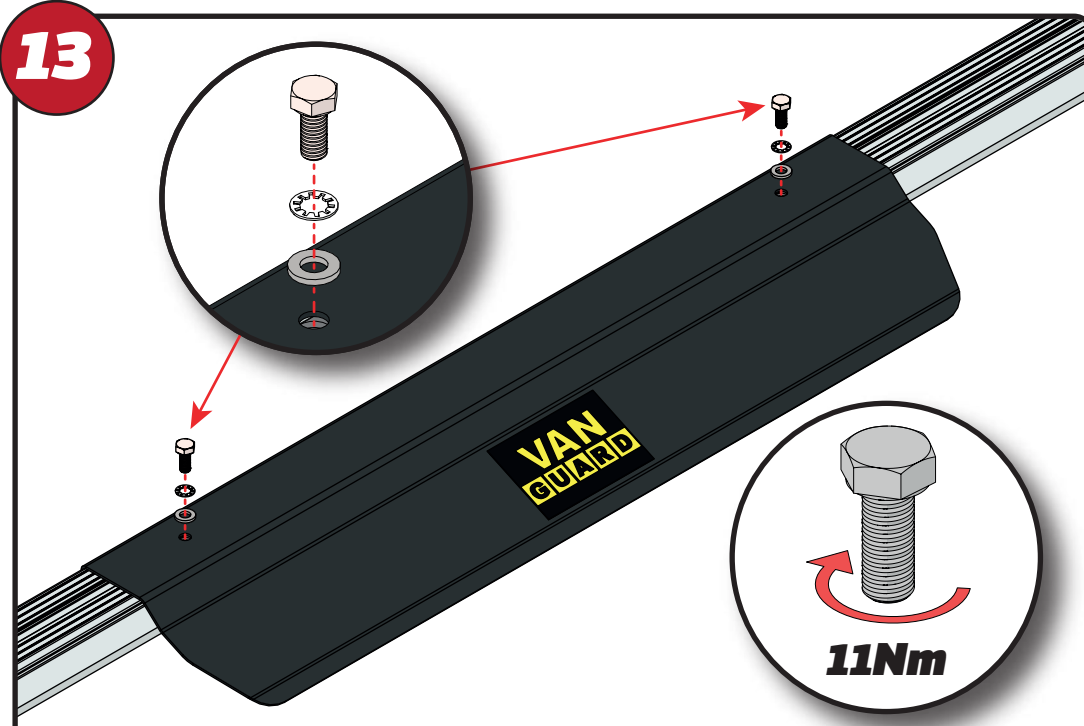
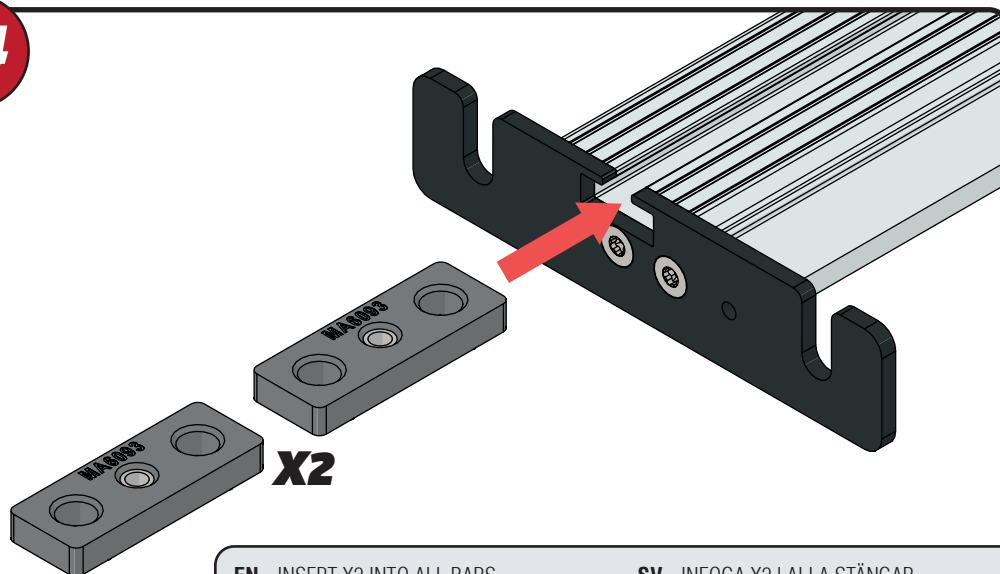
10



11

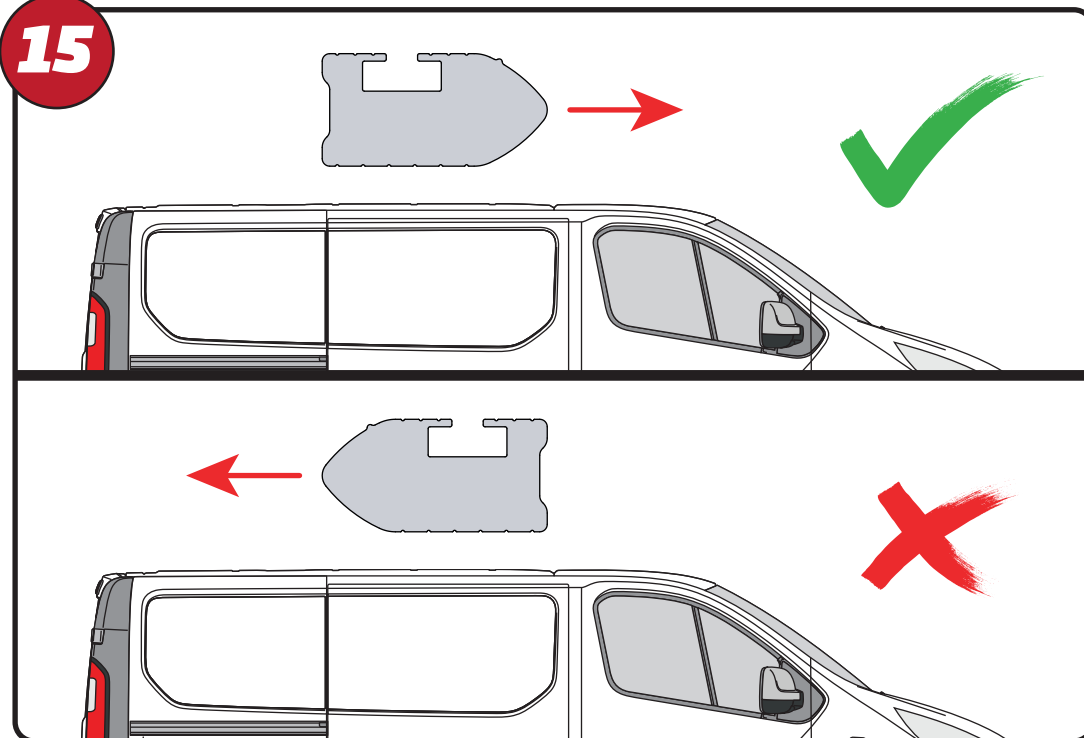




**12****13****14**

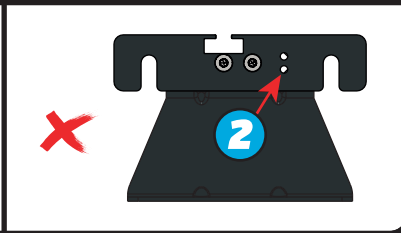
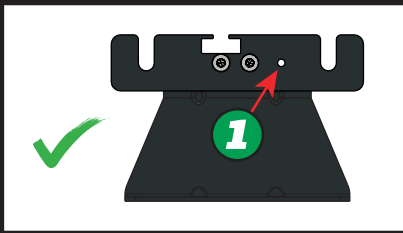
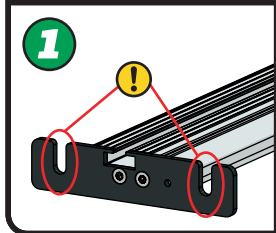
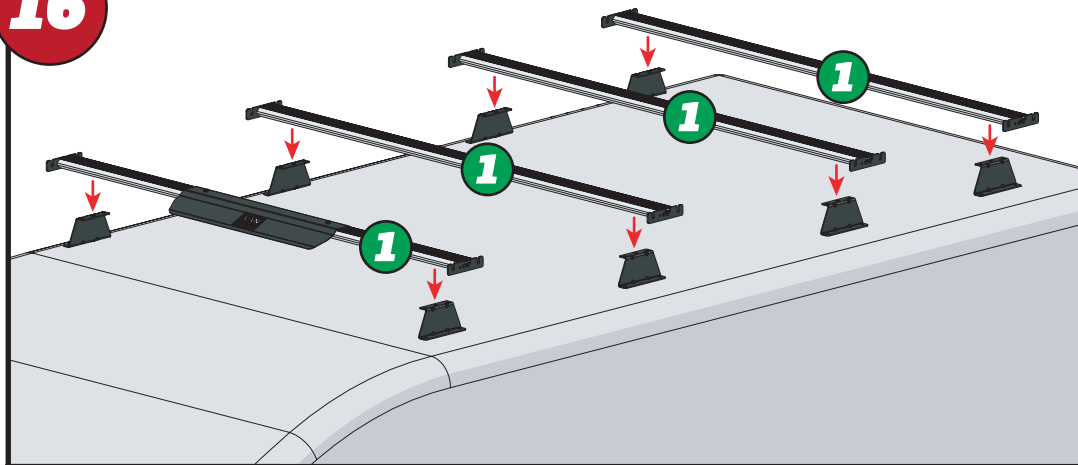
EN - INSERT X2 INTO ALL BARS  
 DE - X2 IN ALLE STANGEN EINFÜGEN  
 FR - INSÉRER X2 DANS TOUTES LES BARRES  
 NL - PLAATS X2 IN ALLE BARS  
 ES - INSERTAR X2 EN TODAS LAS BARRAS  
 IT - INSERIRE X2 IN TUTTE LE BARRE

SV - INFOGA X2 I ALLA STÄNGAR  
 DA - INDSÆT X2 I ALLE STÆNGER  
 NO - SETT X2 INN I ALLE TAKSTENGER  
 PL - WSTAW X2 DO WSZYSTKICH PRĘTÓW  
 CS - VLOŽTE X2 DO VŠECH TYČÍ

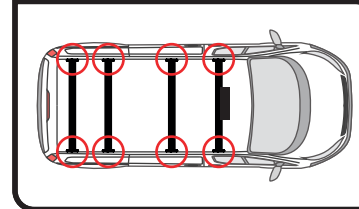
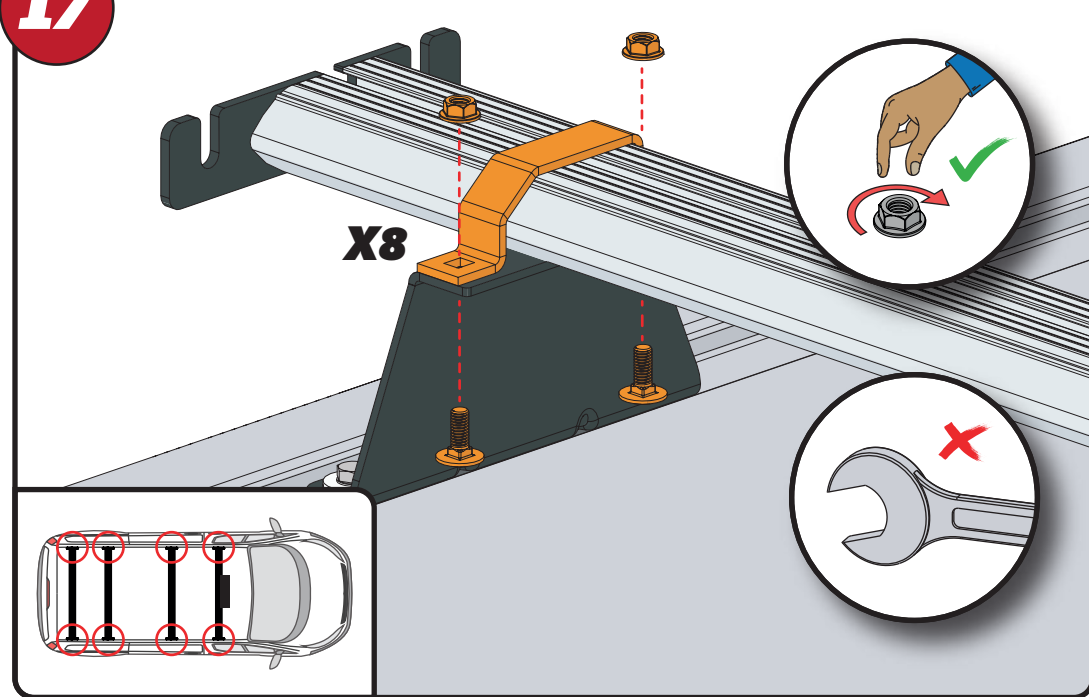
**15**



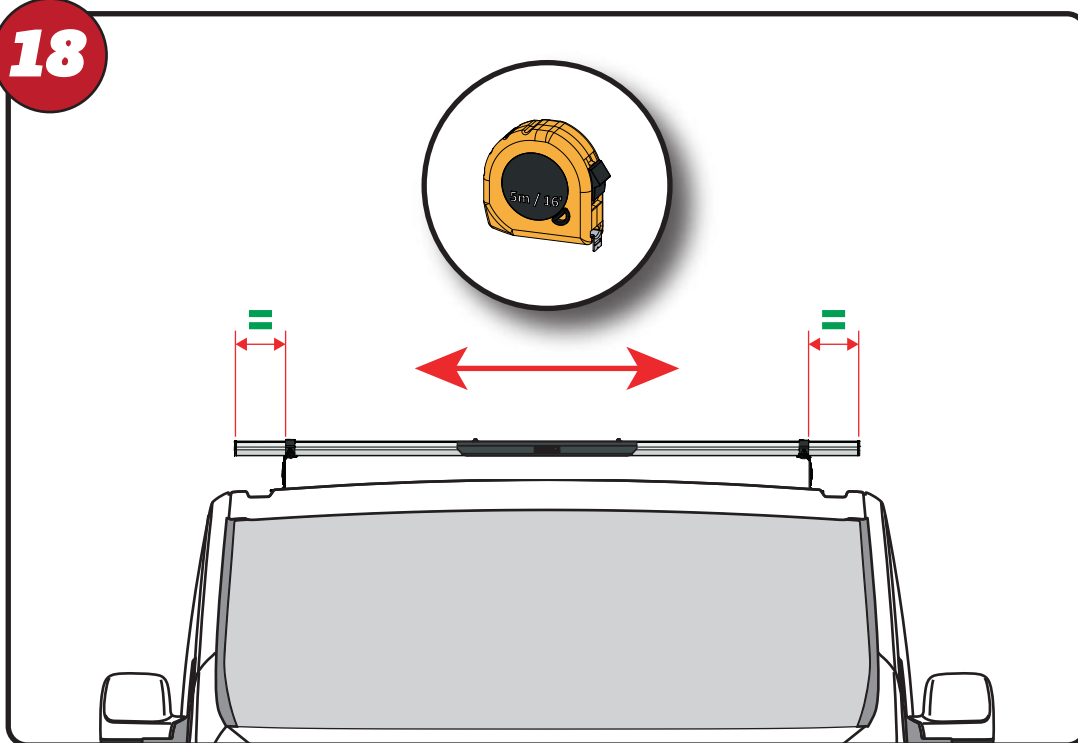
16



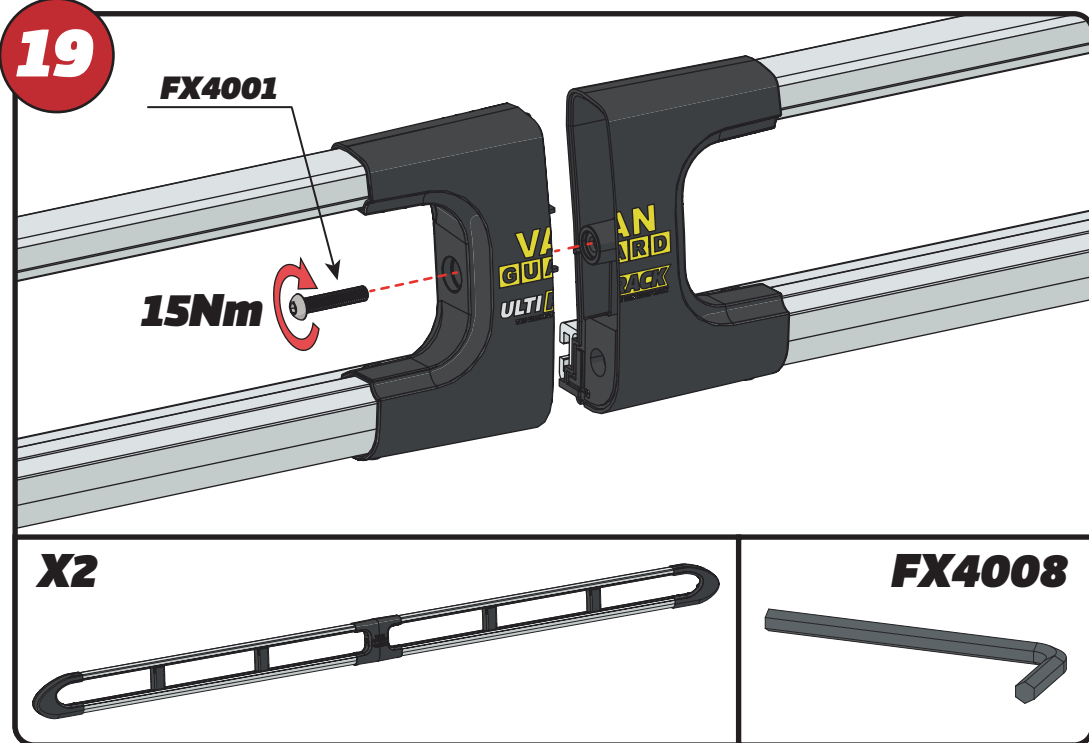
17



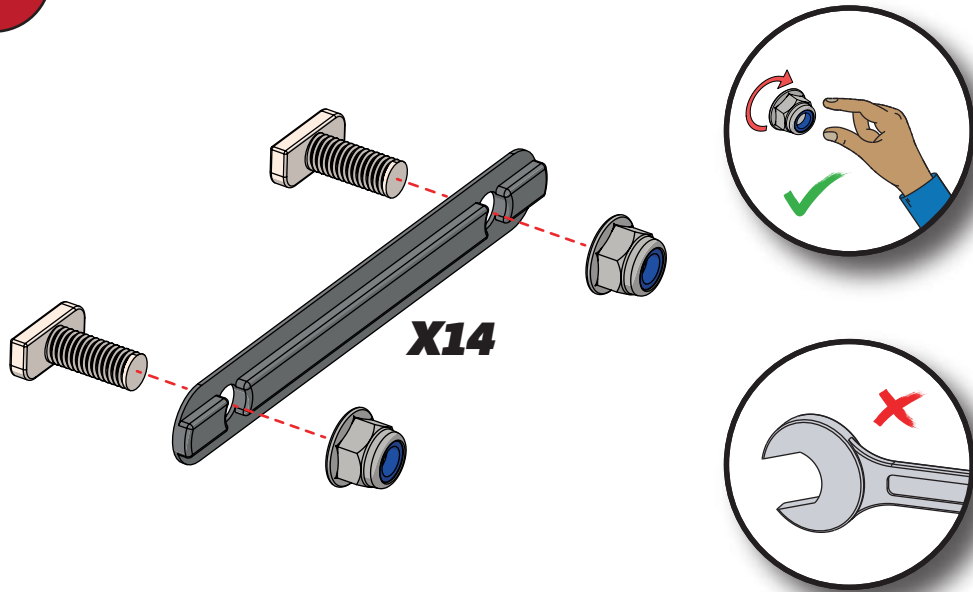
18



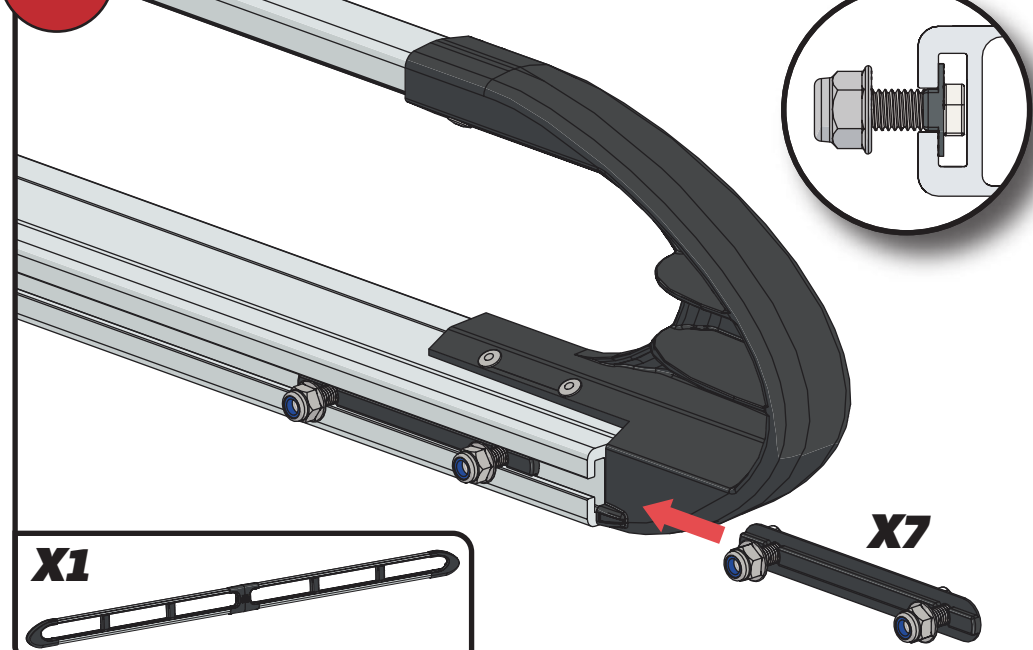
19



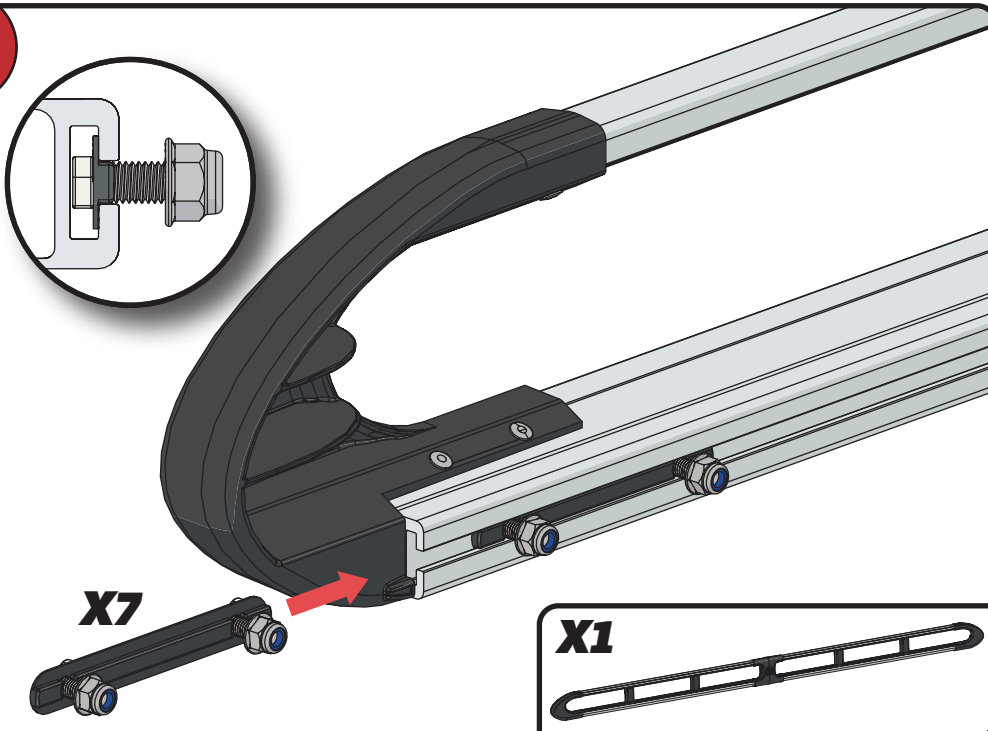
20



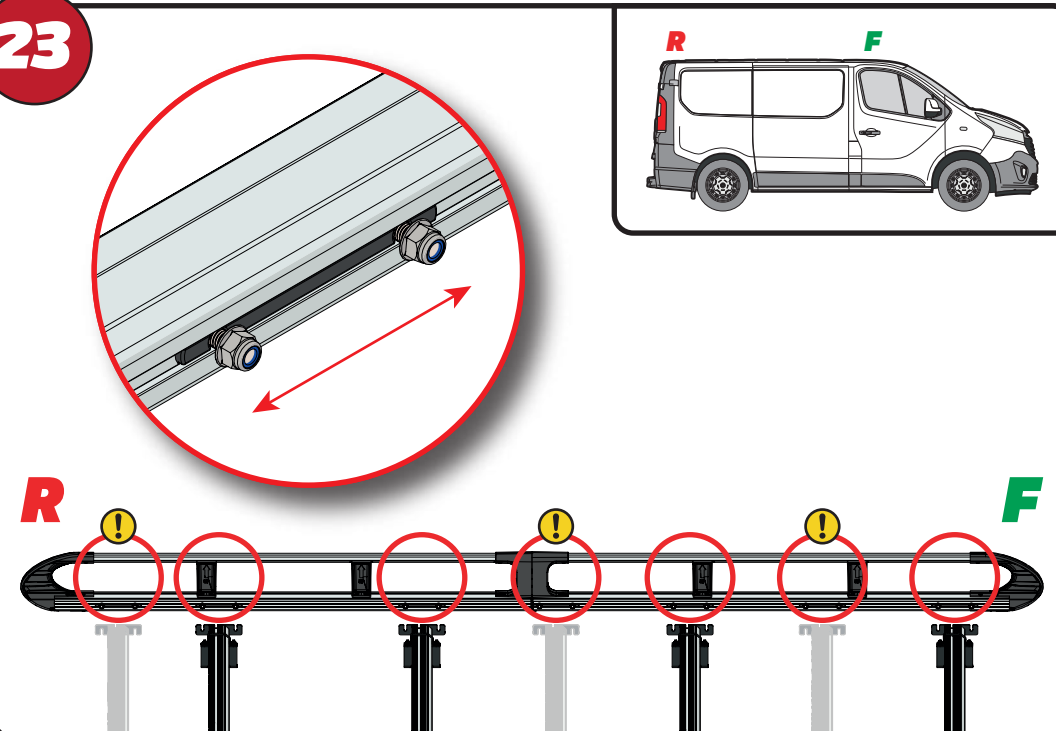
21



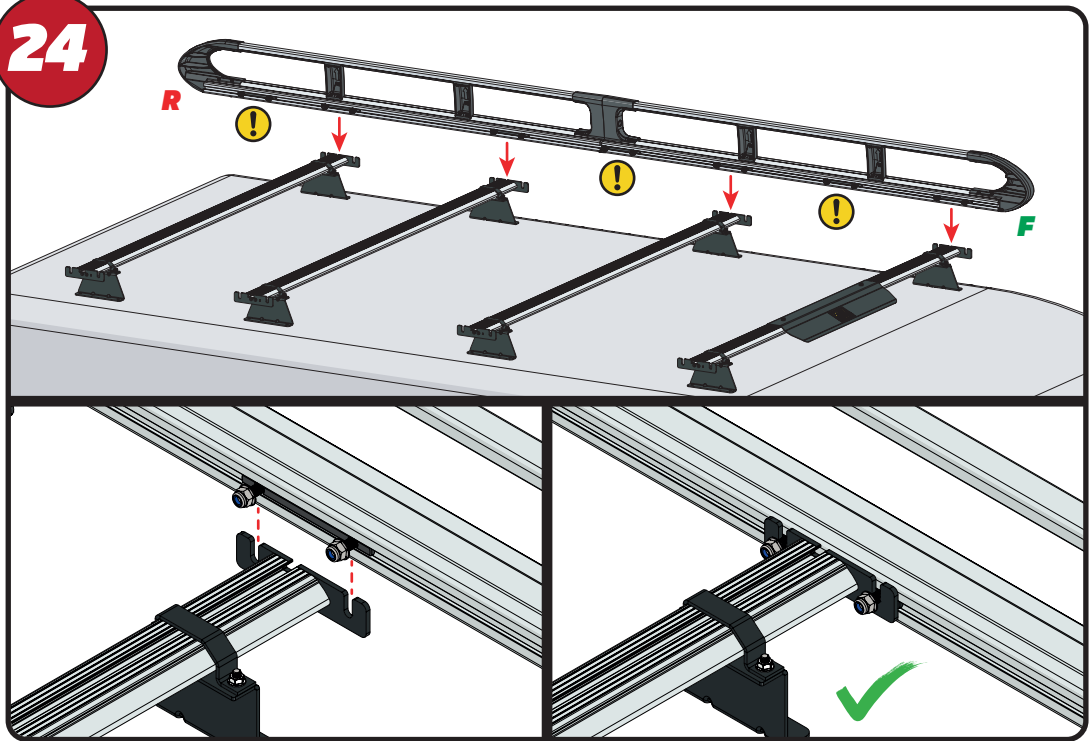
22



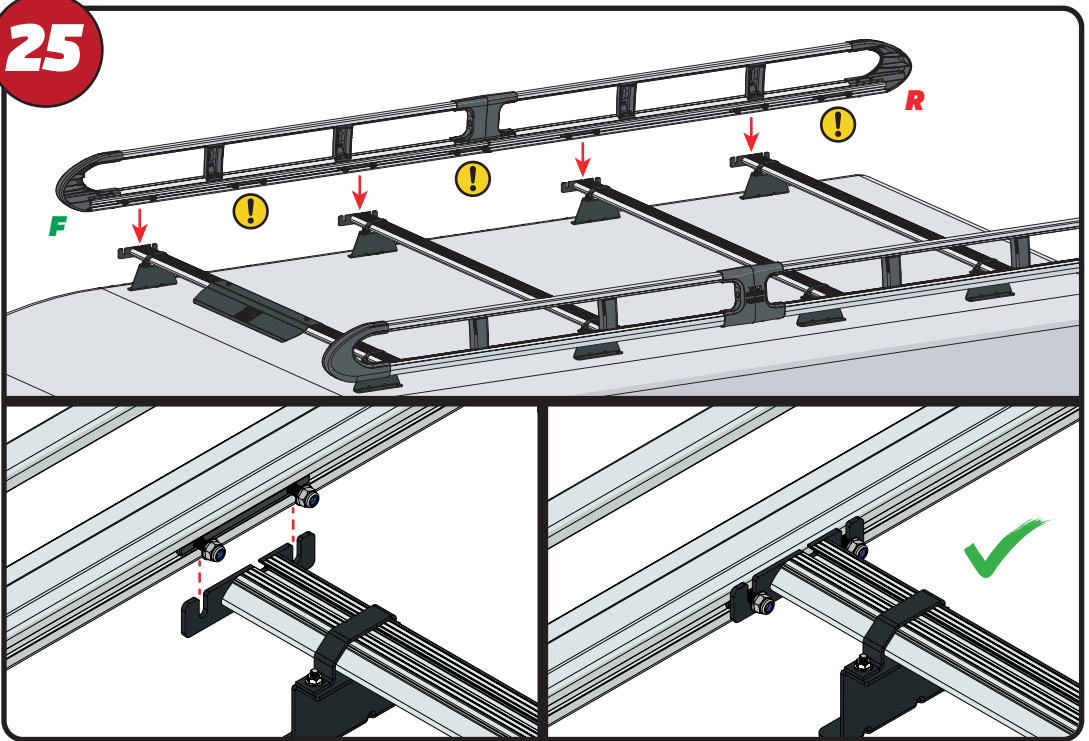
23



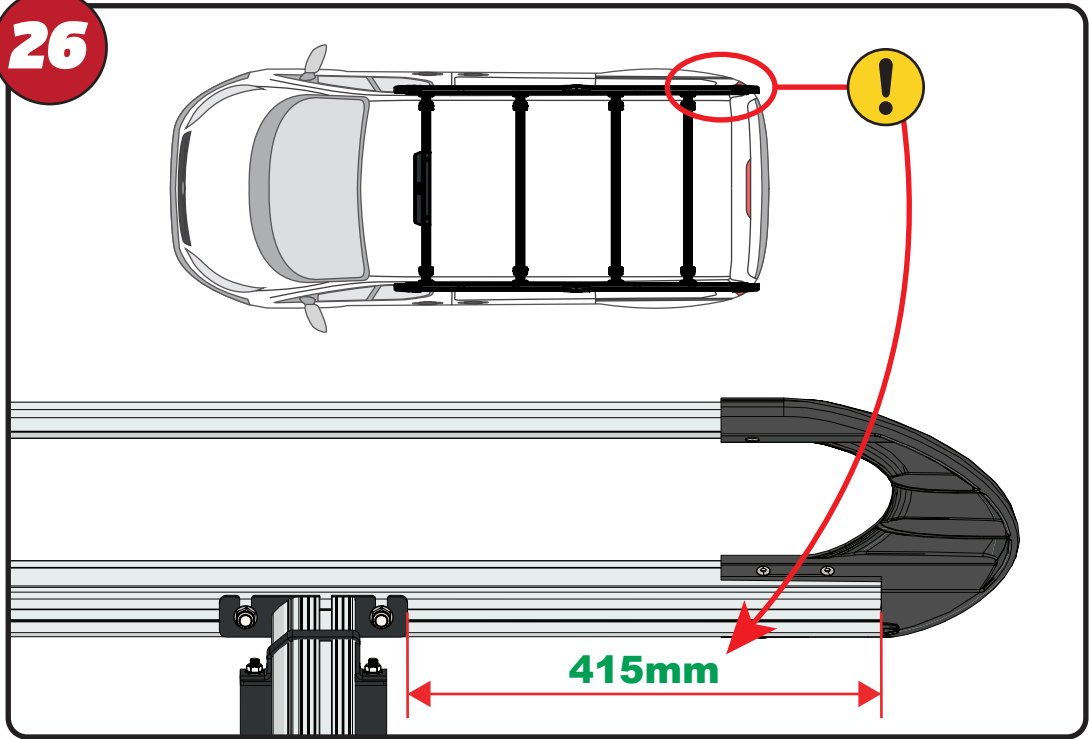
24



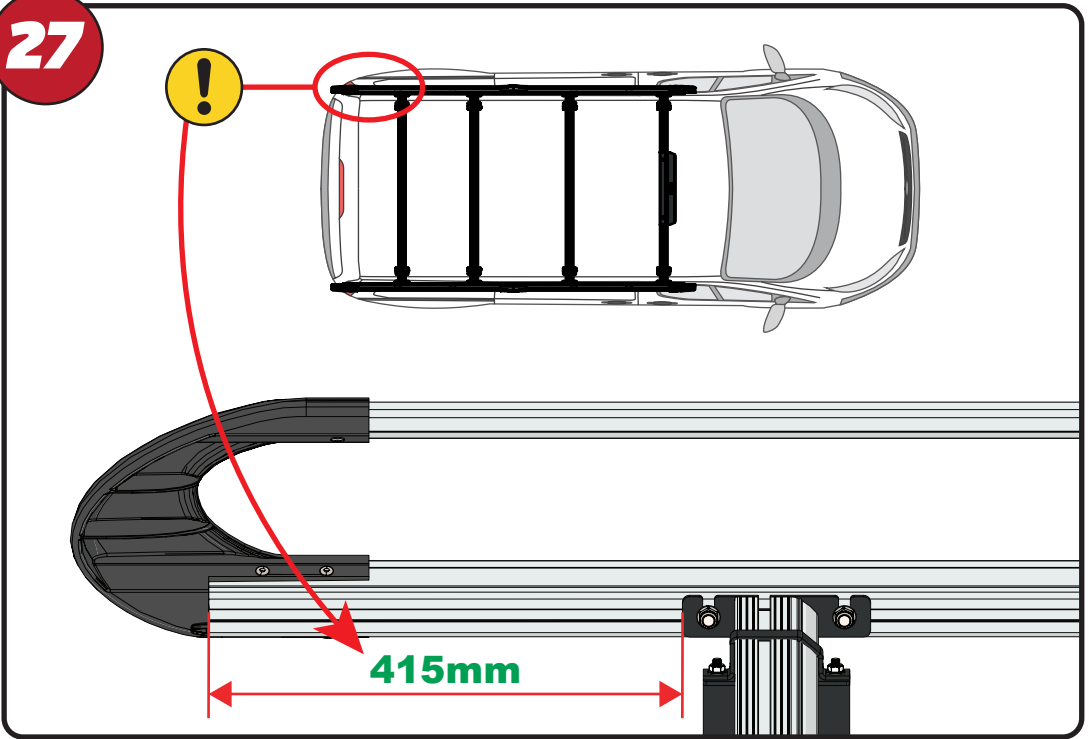
25

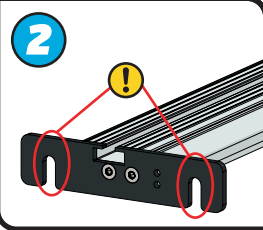
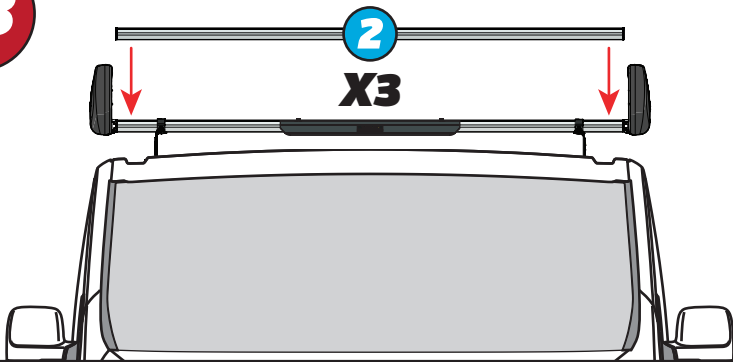


26

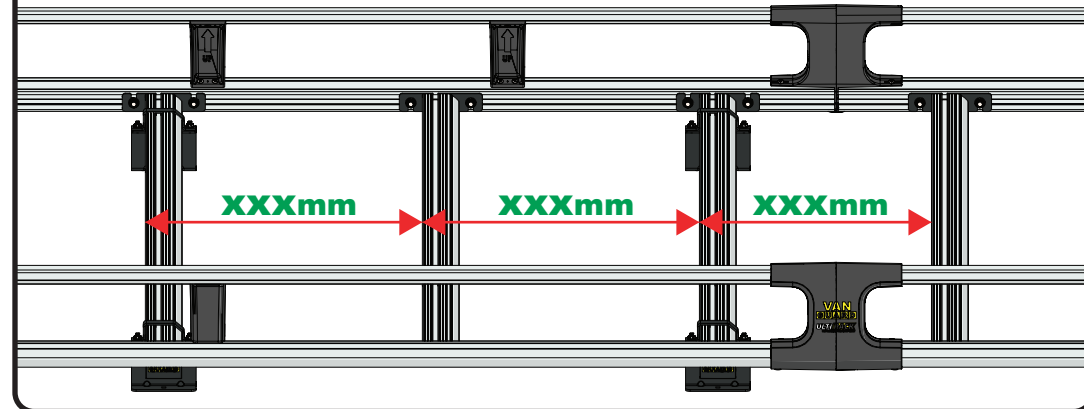
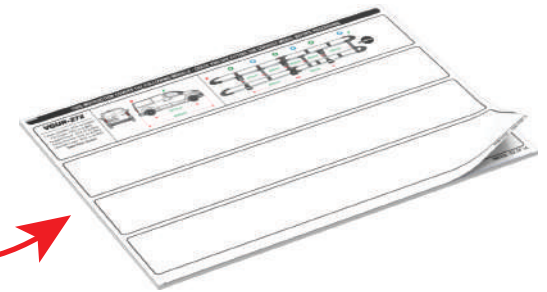
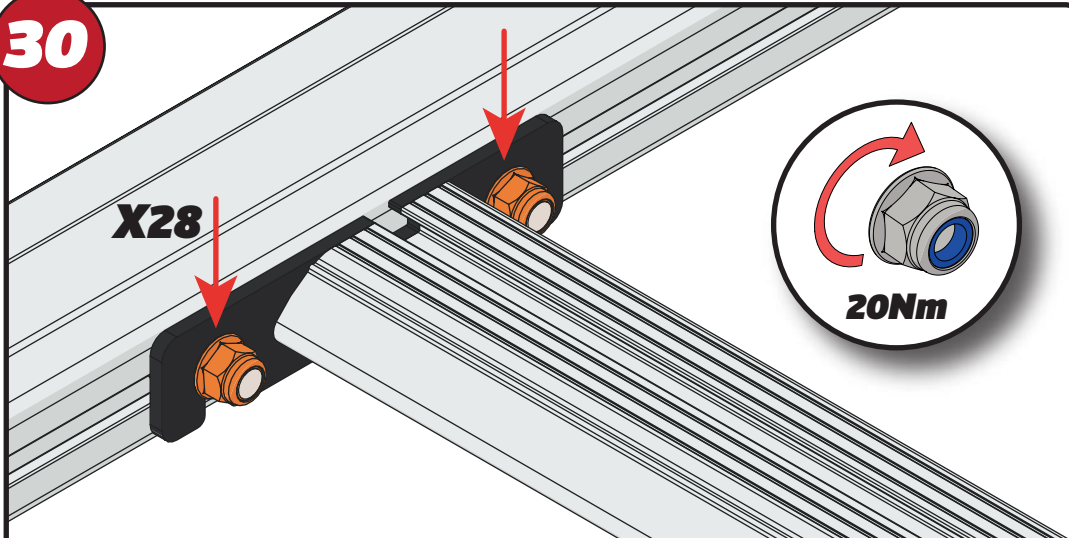


27



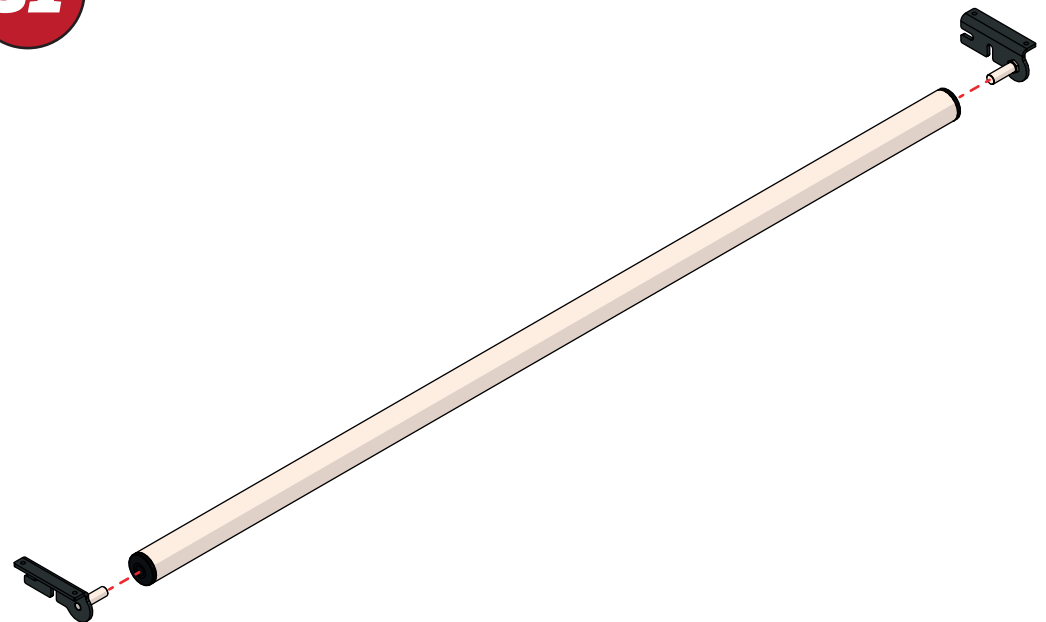
**28****29**

XXX =  
PAGE 2 OF 15

**30****X28****20Nm**

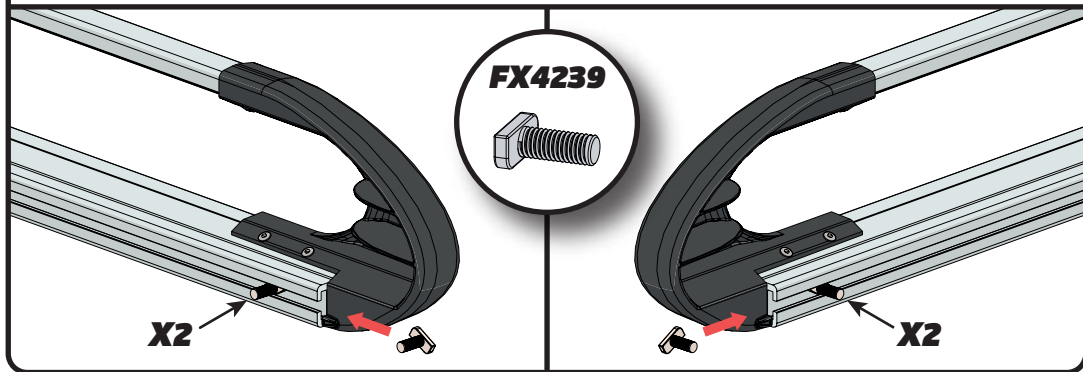
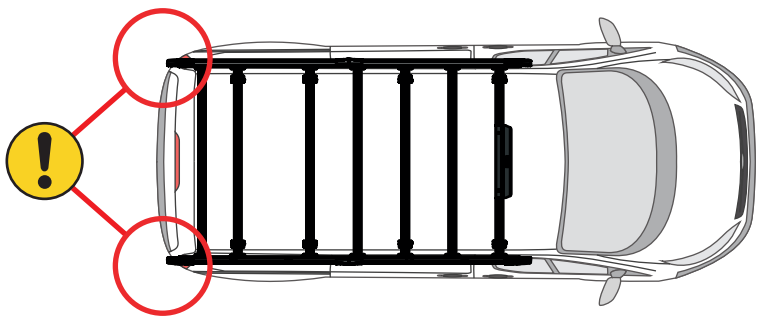
EN - TIGHTEN ALL OF THE CROSS BARS  
 DE - ALLE QUERSTANGEN FESTZIEHEN  
 FR - SERREZ TOUTES LES BARRES TRANSVERSALES  
 NL - DRAAI ALLE DWARSBALK VAN HET DAK AAN  
 ES - APRIETE TODAS LAS BARRAS TRANSVERSALES  
 IT - STRINGERE TUTTE LE BARRE TRASVERSALI

SV - SKRU UPP ALLA KORSSTANGAR  
 DA - SKRU ALLE TAGBØJLER OP  
 NO - SKRU OPP ALLE TVERRSTENGER  
 PL - DOKRĘCIĆ WSZYSTKIE POPRZECZKI  
 CS - VŠECHNY PŘÍČNÉ TYČE SEŠROUJTE

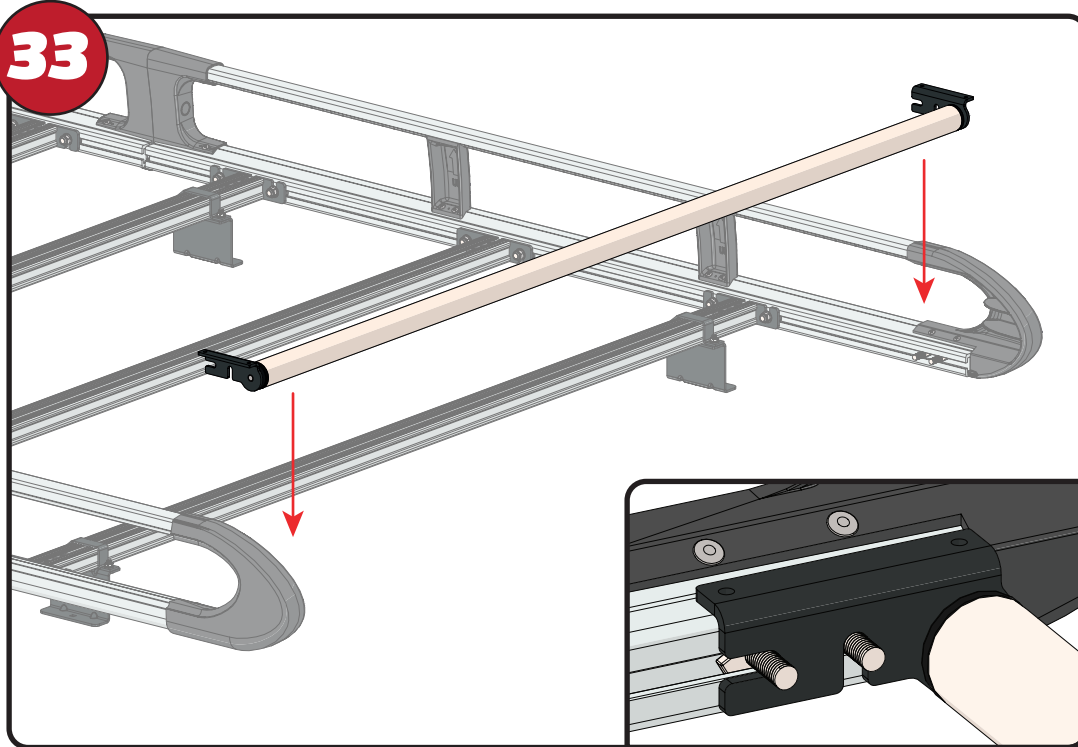
**31**



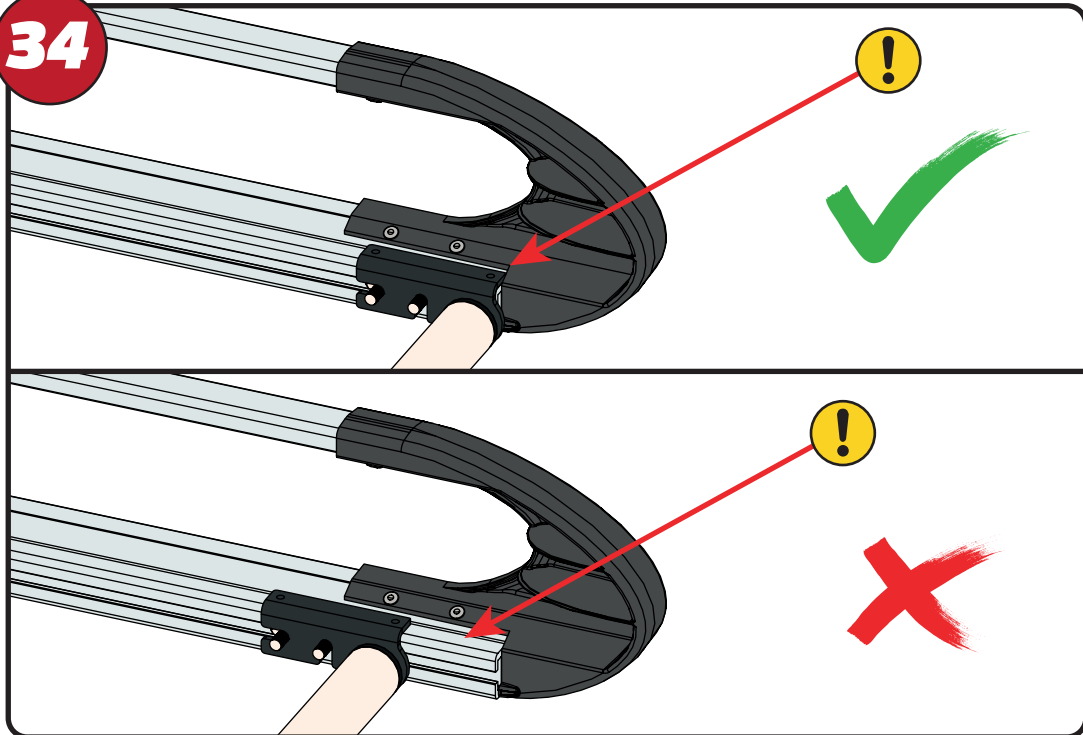
32



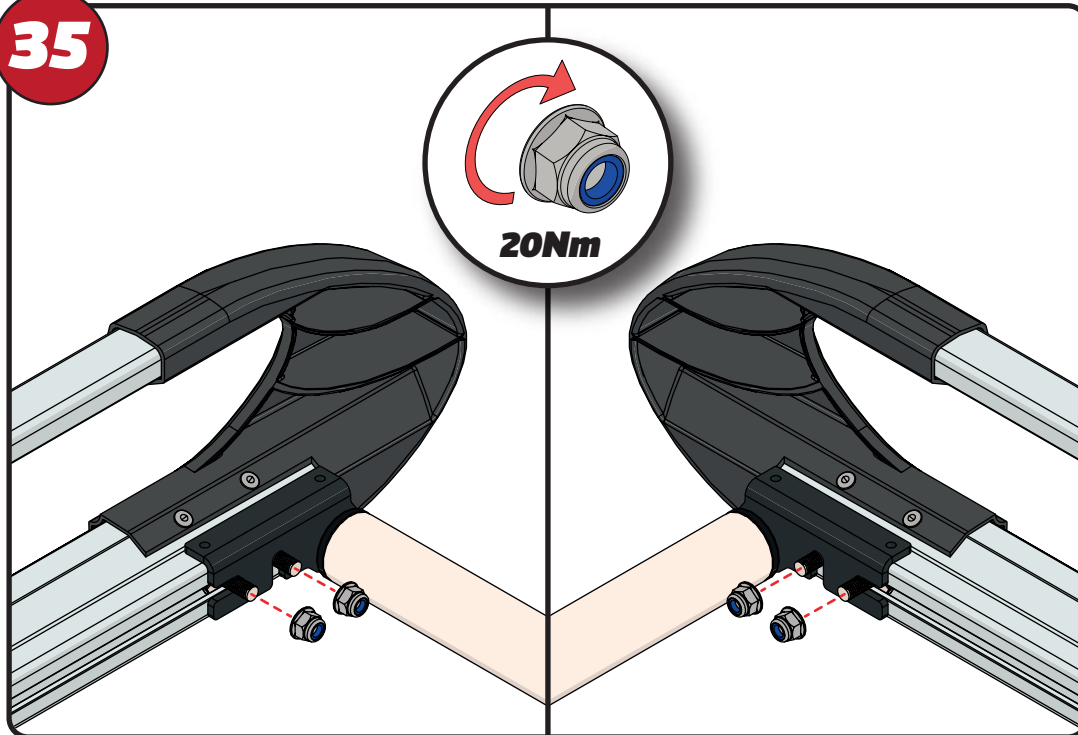
33



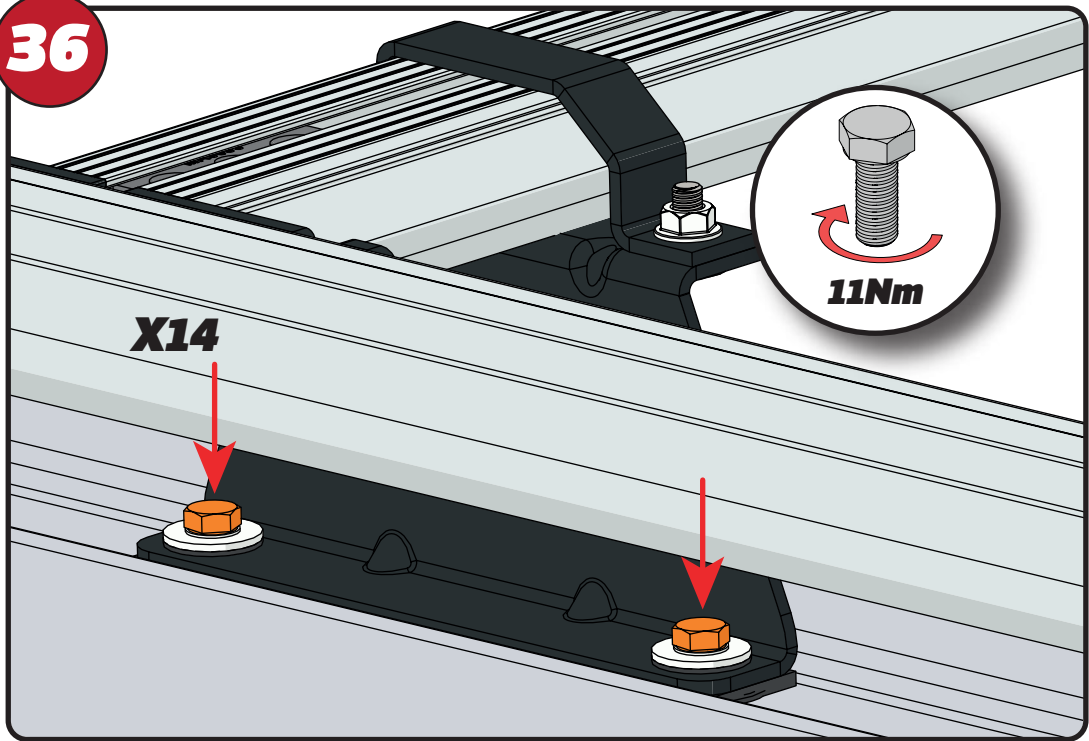
34



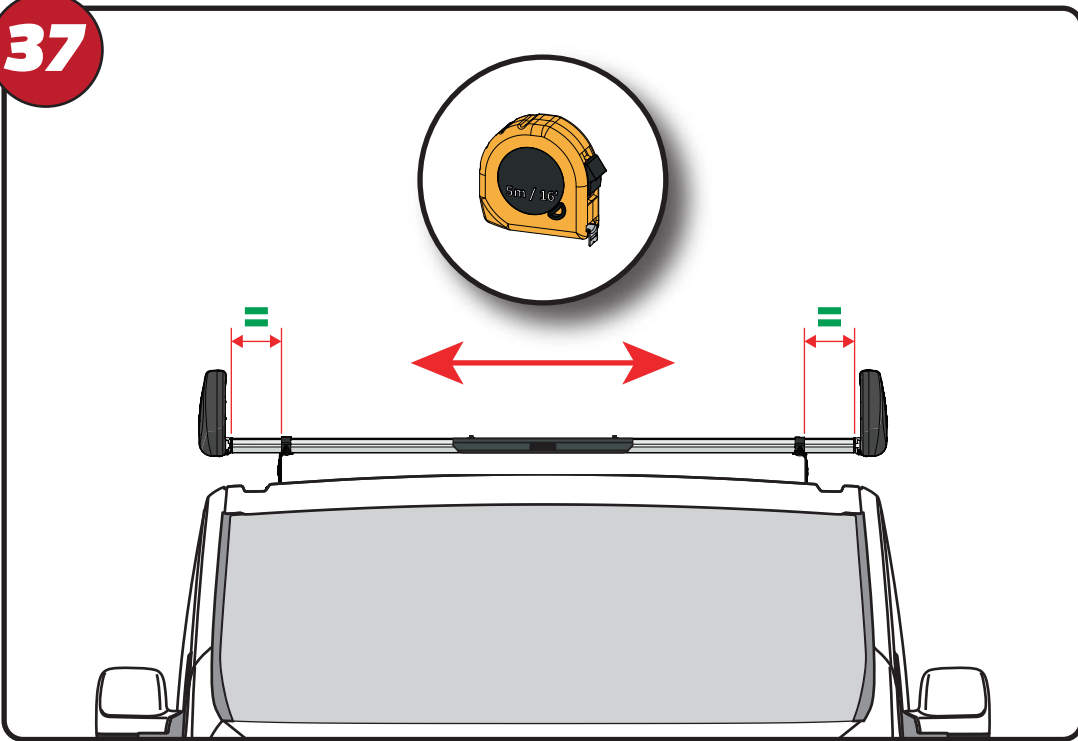
35



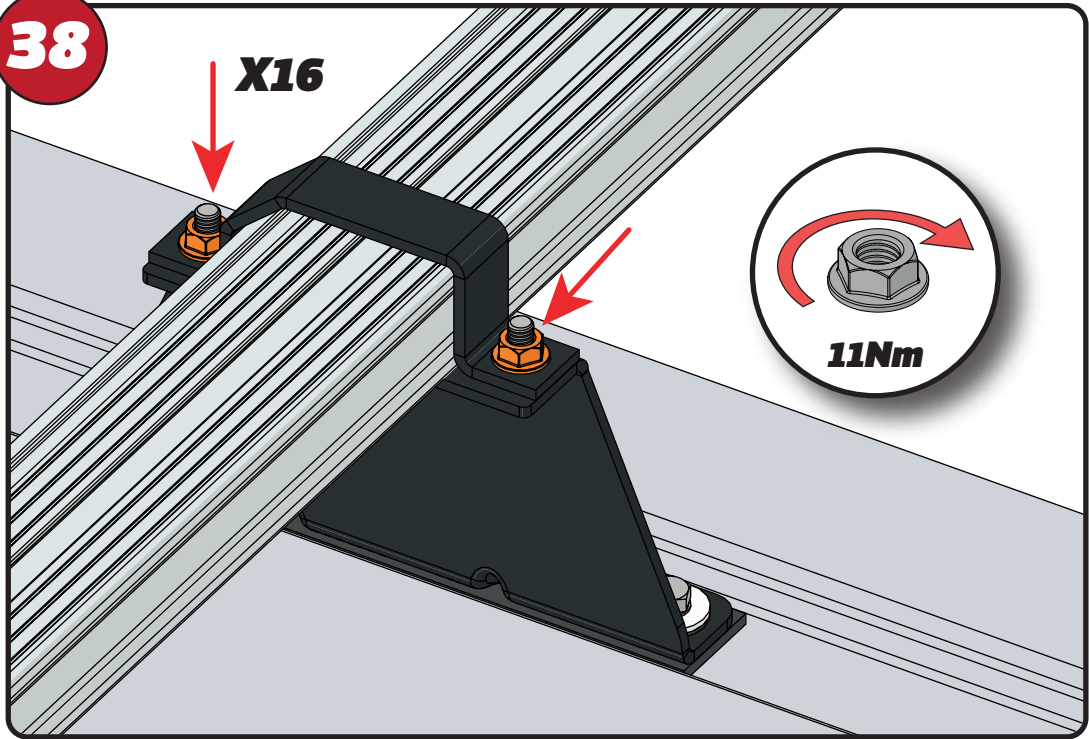
36



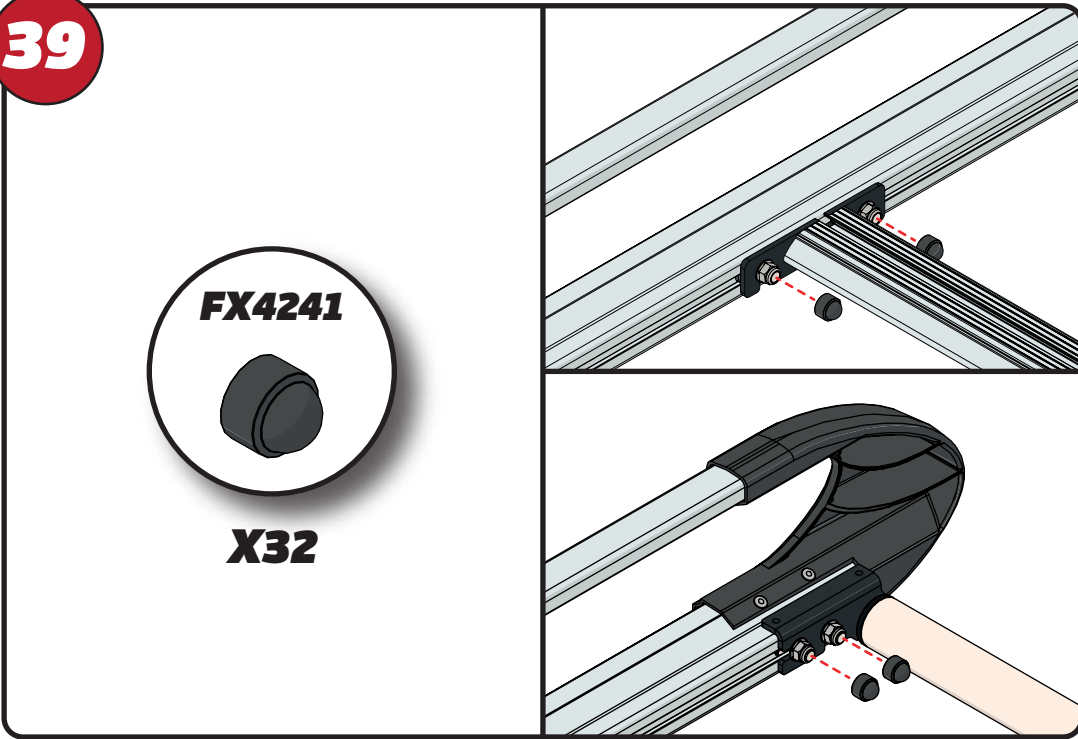
37



38



39





40

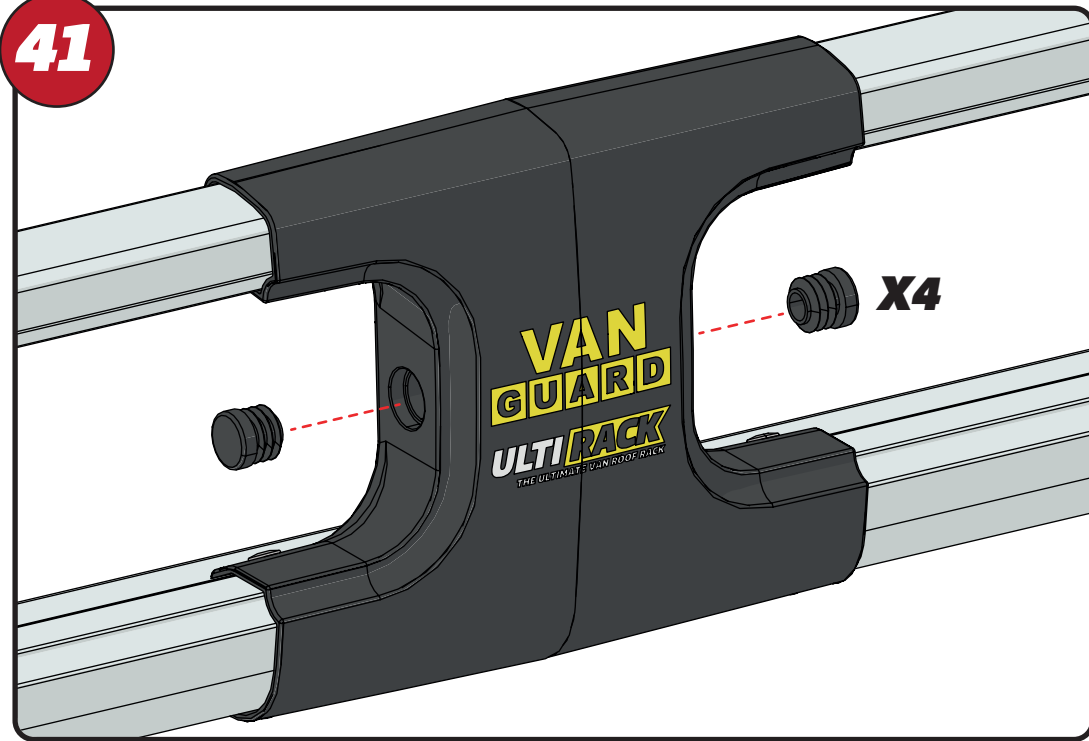
X8



41

X4

**VAN  
GUARD**  
**ULTI RACK**  
THE ULTIMATE STAIN ROOF RACK



42

